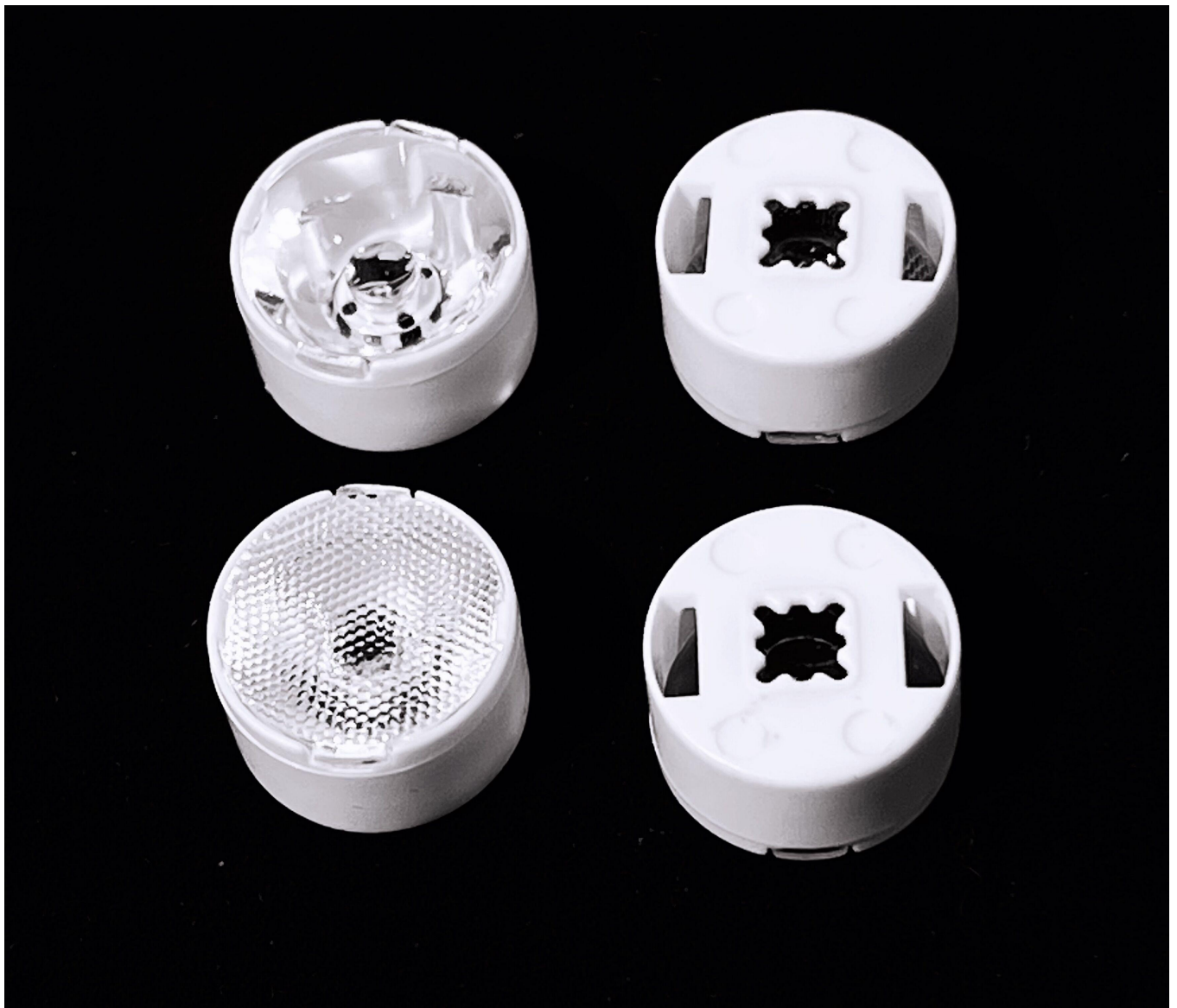




ASAHI OPTICS LIMITED

8F Yueshang Chanye Building, No.1 of TangKeng LuKou Dong , GuanTian, Bao'Shi Dong Road,Shiyan,Bao'an,Shenzhen 518108, China. Tel:+86-755-85241681 Email: optics@asahi-optics.com www.asahi-optics.com

AT Series- Single LENS SPECIFICATION





ASAHI OPTICS LIMITED

8F Yueshang Chanye Building, No.1 of TangKeng LuKou Dong , GuanTian, Bao'Shi Dong Road,Shiyan,Bao'an,Shenzhen 518108, China. Tel:+86-755-85241681 Email: optics@asahi-optics.com www.asahi-optics.com

▲ LED type

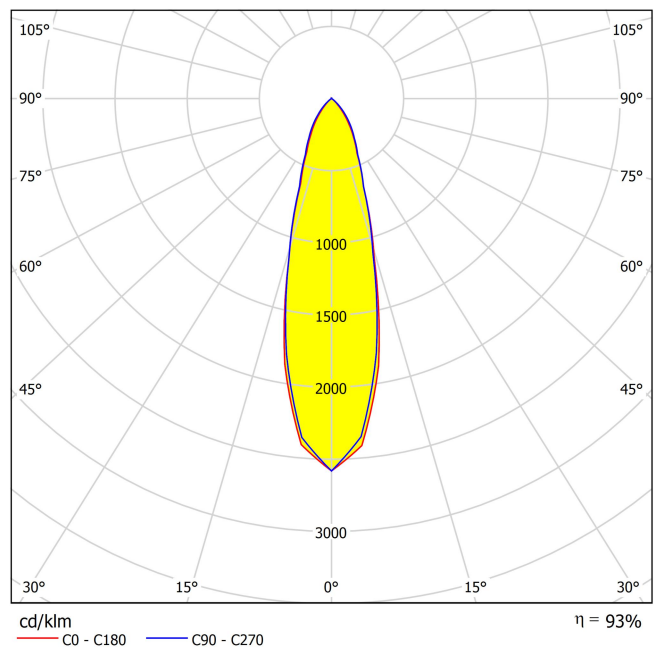
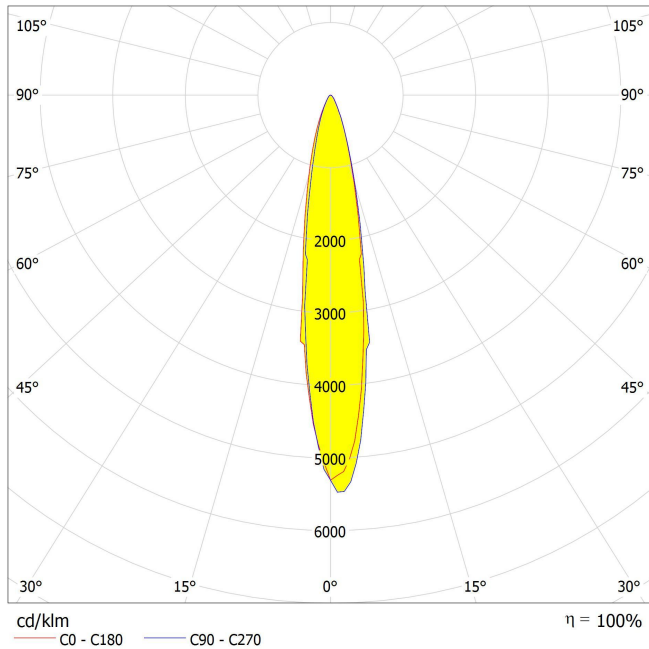


3535



CREE XP-E

▲ AT Series- Single LENS Light Distribution






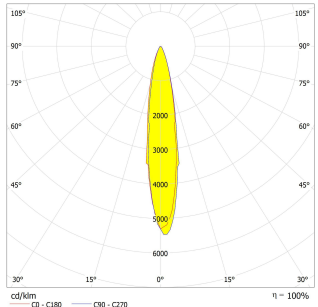
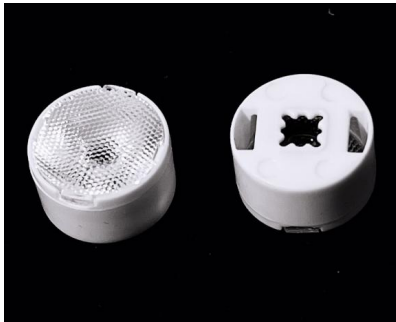
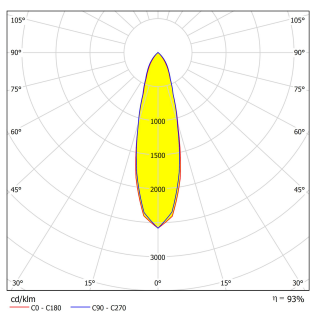
ASAHI OPTICS LIMITED

8F Yueshang Chanye Building, No.1 of TangKeng LuKou Dong , GuanTian, Bao'Shi Dong Road,Shiyan,Bao'an,Shen zhen 518108, China. Tel:+86-755-85241681 Email: optics@asahi-optics.com www.asahi-optics.com

▲ Lens Part Number

Part No.	Description	Beam angle	Dimension	Material	LED Type
AT16D9H13G	AT Series- Single lens	13°	Ø16.10mm	PMMA	CREE XP-E
AT16D9H30G	AT Series- Single lens	30°	Ø16.10mm	PMMA	CREE XP-E

▲ Photometric data (Simulated)

Model No.	Picture	Beam Angle	Simulated IES
AT16D9H13G		13°	
AT16D9H30G		30°	



ASAHI OPTICS LIMITED

8F Yueshang Chanye Building, No.1 of TangKeng LuKou Dong , GuanTian, Bao'Shi Dong Road,Shiyan,Bao'an,Shenzhen 518108, China. Tel:+86-755-85241681 Email: optics@asahi-optics.com www.asahi-optics.com

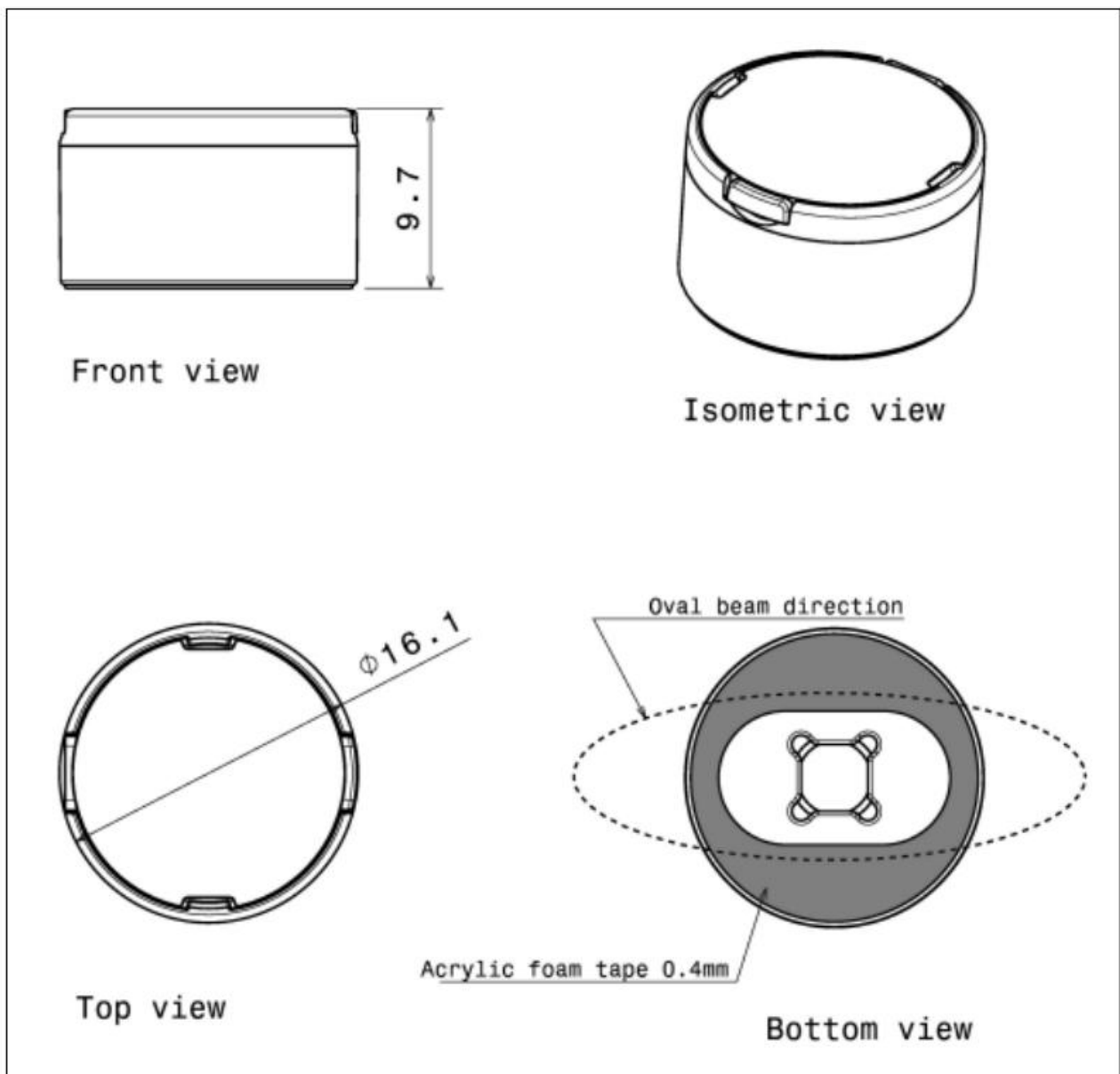
▲ 1. Mechanical Specification

● 1. Fixing Method

Glue Screw Tape Fixing-ring Frame

▲ 2. Lens Dimension

● Model No.: AT16D9H13G

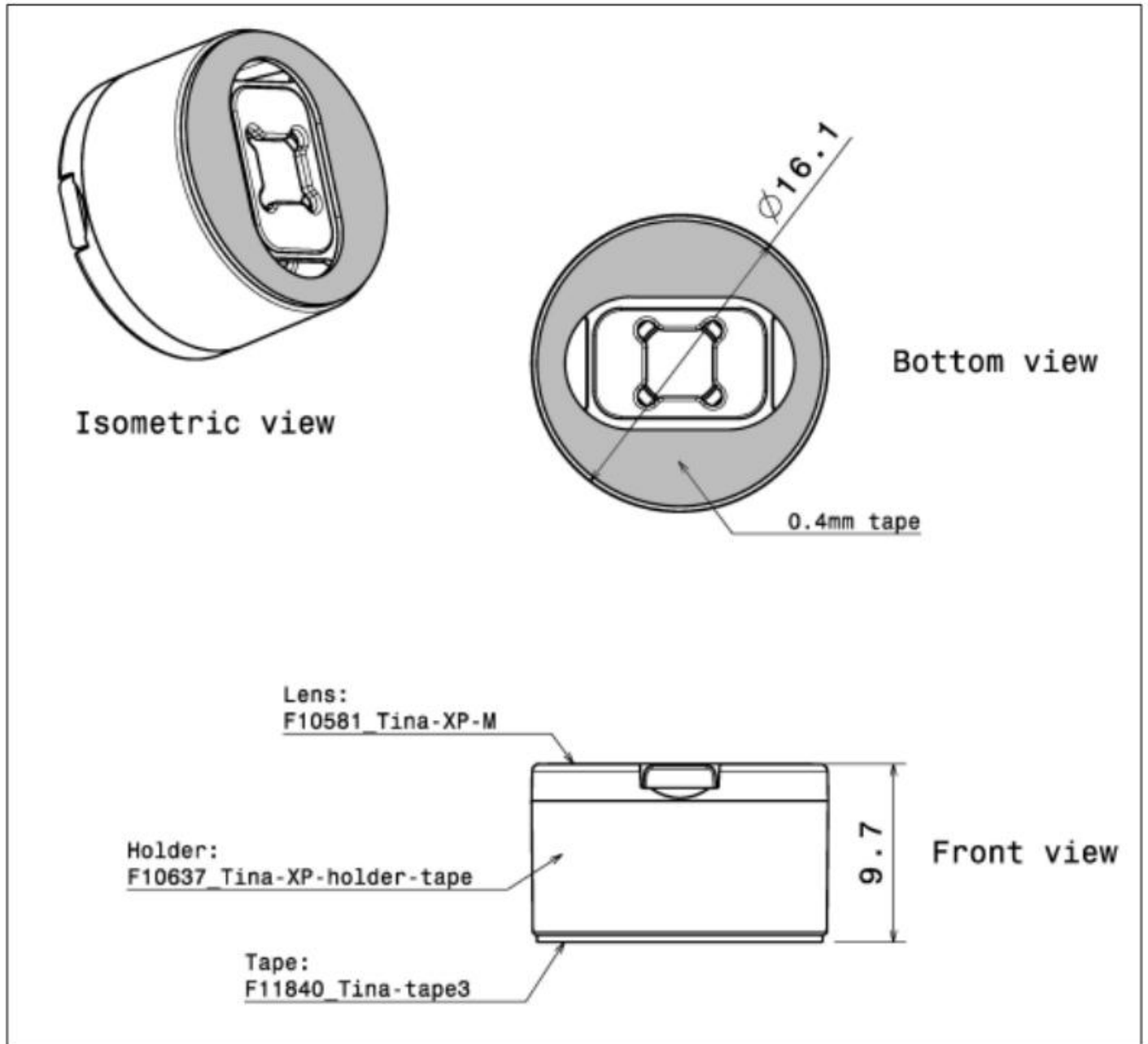




ASAHI OPTICS LIMITED

8F Yueshang Chanye Building, No.1 of TangKeng LuKou Dong , GuanTian, Bao'Shi Dong Road,Shiyan,Bao'an,Shenzhen 518108, China. Tel:+86-755-85241681 Email: optics@asahi-optics.com www.asahi-optics.com

- Model No.: AT16D9H30G

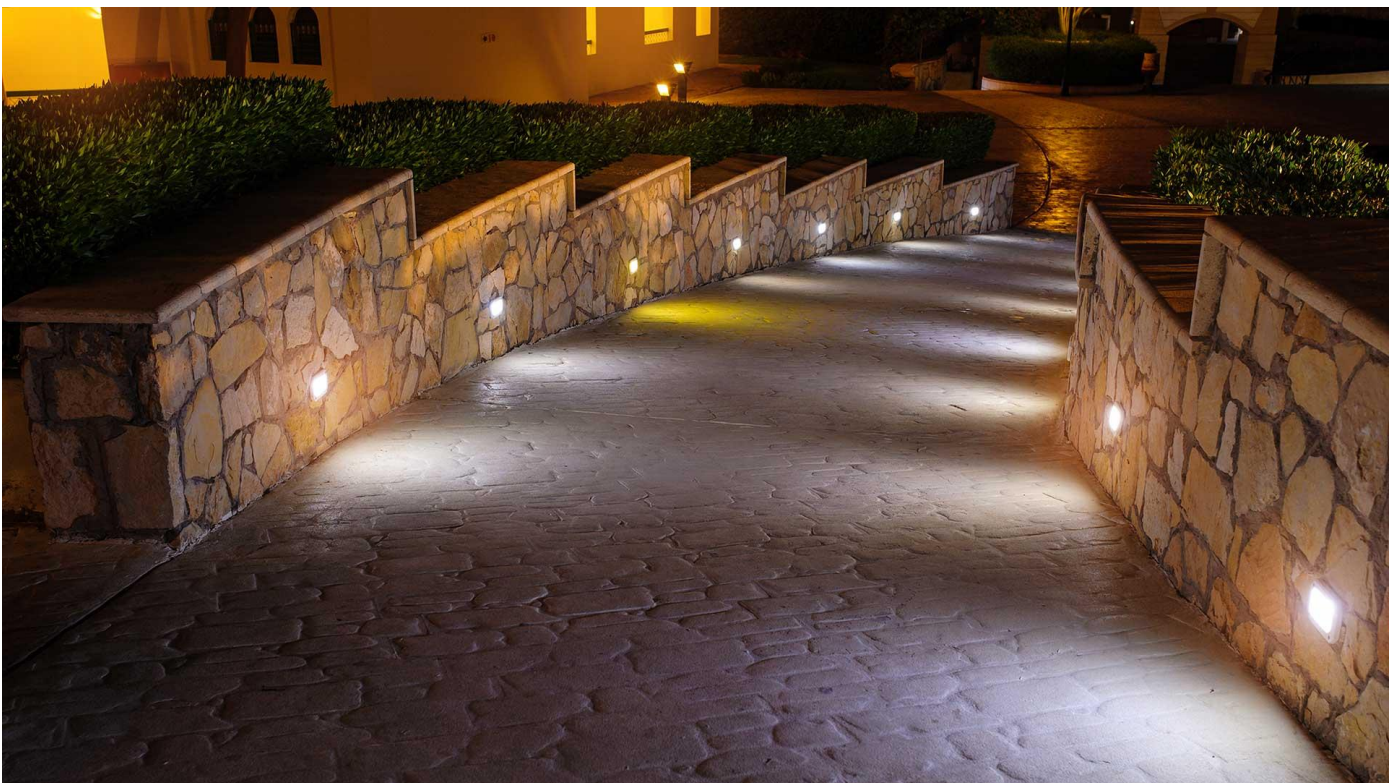




ASAHI OPTICS LIMITED

8F Yueshang Chanye Building, No.1 of TangKeng LuKou Dong , GuanTian, Bao'Shi Dong Road,Shiyan,Bao'an,Shenzhen 518108, China. Tel:+86-755-85241681 Email: optics@asahi-optics.com www.asahi-optics.com

- Application:





ASAHI OPTICS LIMITED

8F Yueshang Chanye Building, No.1 of TangKeng LuKou Dong , GuanTian, Bao'Shi Dong Road,Shiyan,Bao'an,Shenzhen 518108, China. Tel:+86-755-85241681 Email: optics@asahi-optics.com www.asahi-optics.com

▲ Features & Typical Applications

- High efficiency by PMMA & PC material and luminance uniformity.
- AT Series-Single lens with a wide variety of different beams,suitable for outdoor lighting.
- Optimized optical design with high light intensity and good durability of lens life time.

▲ Material Information

- Lens Material: Teijin PC 1250Z/ Mitsubishi PMMA VH001
 - PC Operating Temperate Range $-40^{\circ}\text{C}+110^{\circ}\text{C}$ (upper limit $+120^{\circ}\text{C}$)
 - PMMA Operating Temperate Range $+40^{\circ}\text{C}+90^{\circ}\text{C}$
- * Average transmittance in visible spectrum 400nm-700nm $>90\%$

▲ Usage and Maintenance

- 1) If necessary, clean lenses with mild soap, water, and softening cloth.
- 2) Never use any industrial solvent to clean lens, such as cleaning Solvent, Alcohol Sulfuric acid, Ammonia, Urea, Mineral oil, Petrol
- 3) Alternatively the following environment is recommended: Storage temperature: -40°C to $+70^{\circ}\text{C}$, Humidity:30% to 95% HR mar.