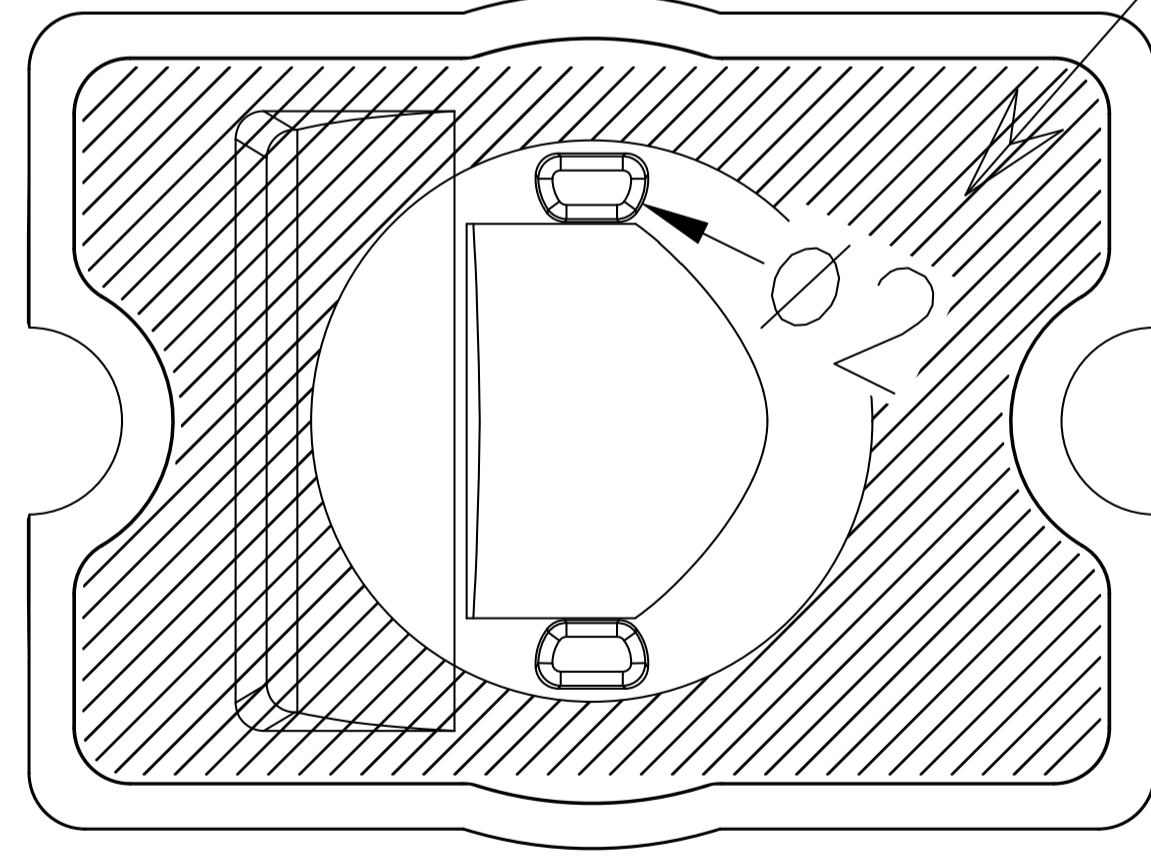



Tape



NOTE:

1. ALL SURFACES NO SHRINKAGE, BURRS, JUNCTION LINES ALLOWED
2. CRITICAL DIMENSIONS ARE INDICATED ON THE DRAWING
3. ALL INDICATED SURFACES ARE POLISHED, THE OPTICAL SURFACE POLISHING MUST BE SPI-A1 STANDARD
4. THE PARTS IS COMPLIANT TO ROHS AND REACH STANDARD

CHANGE						PART		颜色	Transparency		SCALE	1:1	 <b>ASAHI OPTICS LIMITED</b> ASAHI 料号 PART NO. <b>AST20DP30G</b> 品名 Product <b>Single lens</b>
						0 ~ 10	±0.05	材质	PC+PMMA		UNIT	mm	
						10 ~ 20	±0.10	设计	C.Y.CAI	2021-05-25	SIZE	A4	
	A/0	2021-05-21		NEW		20 ~ 30	±0.15	核准			SHEET	④	
	版次	日期		变更说明	变更	核准	30 ~	±0.20	DESIGN				
REV	DATE		MODIFICATION	CHANGE	APPROVE	Angle	± 1°	APPROVE					
			DESCRIPTION			DIM	TOL						