

ASEL17DFS Series Extrusion Linear Lens

Model:	ASEL17DFS Series
Size:	17mm width
Height:	-
Beam Angle:	10°, 20°, 30°, 60°, 90°
Material:	6063 T5 Aluminum + PMMA lens + Plastic Endcap
Transmittance:	> 90%
LED Type:	2835/3030/3535LED

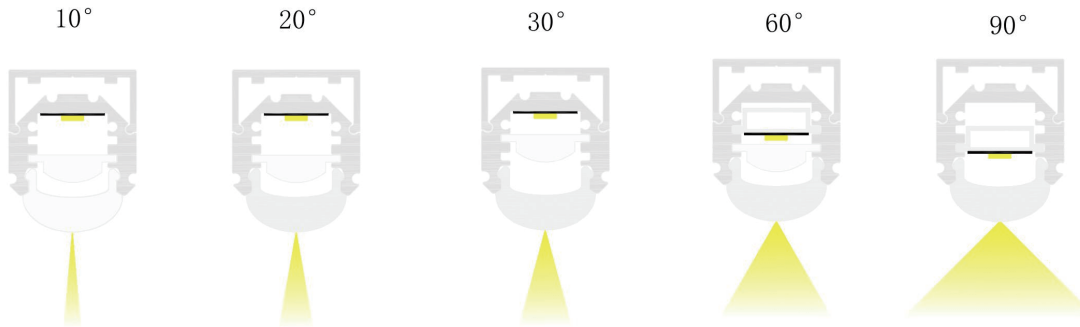


FEATURES

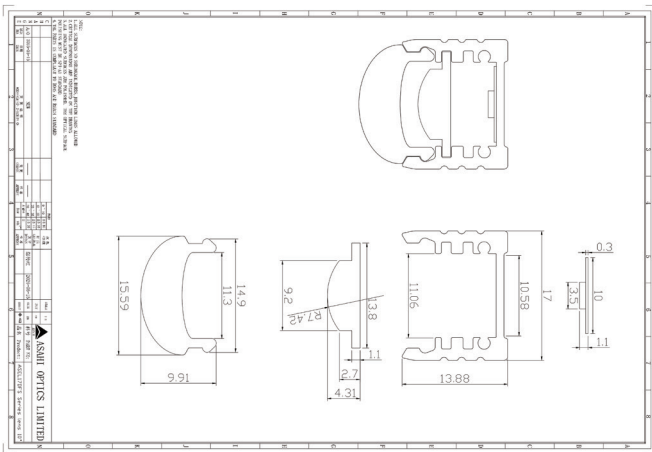
1. The ASEL17DFS Series offers a variety of beam angle options including 10°, 20°, 30°, 60°, and 90°. Among these, the 10° option overcomes the significant technical challenge of achieving such an extremely narrow angle, which is generally not feasible with traditional extrusion lenses.
2. The lens integrates seamlessly with the profile structure, meeting the stringent requirements of commercial lighting for clean light spots and sharply defined edges.
3. Compatible with magnetic or surface-mounted brackets, it easily adapts to various ceiling, shelf, and wall-washing scenarios.



LENS LIGHT DISTRIBUTION & APPLICATION



LENS DRAWING



LED TYPE



3030LED



3535LED

LED BRAND

