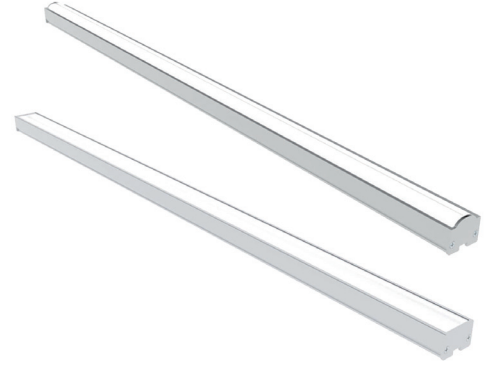


ASEL20D Series Extrusion Linear Lens

Model:	ASEL20D Series
Size:	20mm Width
Height:	-
Beam Angle:	~40x120°, ~60x100°, ~90x100°, ~150x100°, Asy35°
Material:	6063 T5 Aluminum + PMMA lens + Plastic Endcap
Transmittance:	> 90%
LED Type:	2835/3030/3535LED

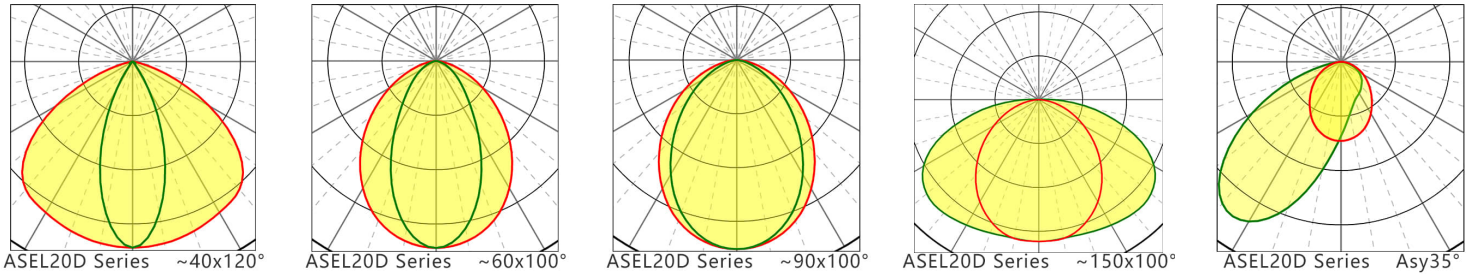


FEATURES

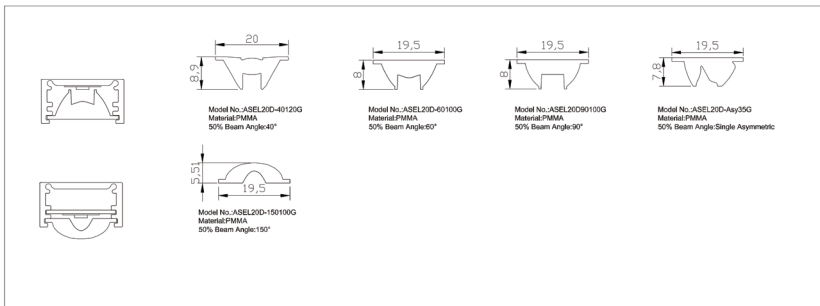
1. Crafted from durable 6063 T5 aluminum with a PMMA optical lens and plastic end caps, ensuring longevity and consistent performance in various retail environments.
2. Designed for single-row power configurations and compatible with 2835/3030/3535 LEDs, making it the ideal linear solution for corridors, shelves, and display cases.
3. Offers multiple mounting options including magnet strips and surface brackets, with customizable anodized finishes (black/white/custom) to seamlessly integrate into any design scheme.



LENS LIGHT DISTRIBUTION & APPLICATION



LENS DRAWING



LED TYPE



3030LED



3535LED

LED BRAND

