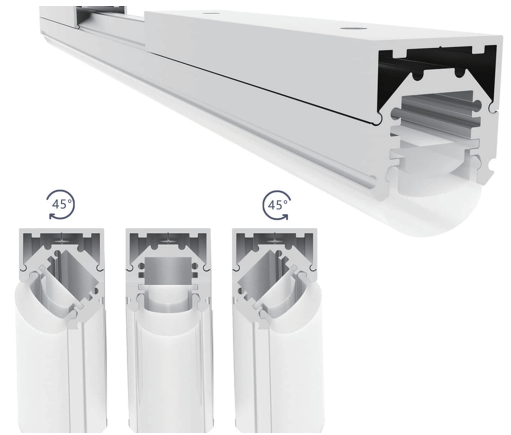


## ASEL CMB Series Extrusion Linear Lens

Model:	ASEL CMB Series
Size:	17mm width, 20mm Width
Height:	-
Beam Angle:	10°, 20°, 30°, 60°, 90°
Material:	6063 T5 Aluminum + PMMA lens + Plastic Endcap
Transmittance:	> 90%
LED Type:	2835/3030/3535LED



### FEATURES

1. The CMB series offers a variety of beam angle options including 10°, 20°, 30°, 60°, and 90°. Among these, the 10° option overcomes the significant technical challenge of achieving such an extremely narrow angle, which is generally not feasible with traditional extrusion lenses.
2. The lens integrates seamlessly with the profile structure, meeting the stringent requirements of commercial lighting for clean light spots and sharply defined edges.
3. The matching profile supports  $\pm 45^\circ$  angle adjustment, allowing for clockwise or counterclockwise rotation to precisely control the direction of light output.
4. Compatible with magnetic or surface-mounted brackets, it easily adapts to various ceiling, shelf, and wall-washing scenarios.



