

50mm 15 Degree COB Led Down Light Lens

Model	AHCOB5015D
Size:	Ø50mm
Height:	15mm
Beam Angle:	12°,24°,38°,45°,60°
Material:	PC
Transmittance:	90%
LED Type:	COB LED

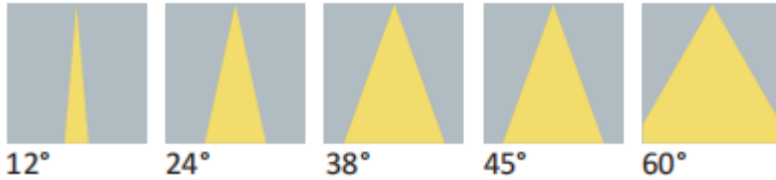


FEATURES

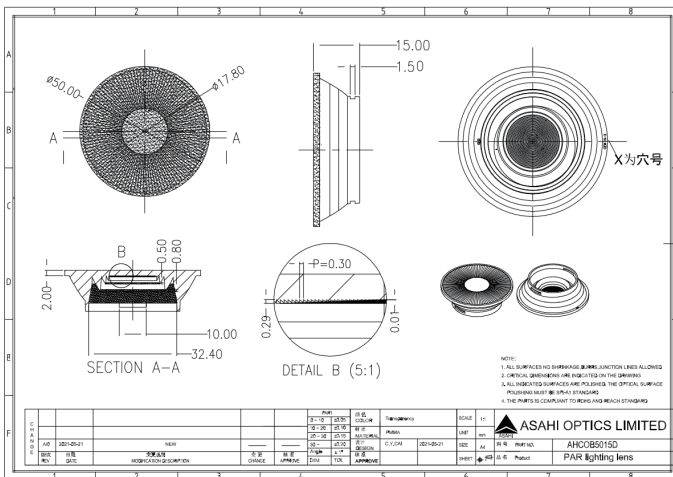
- 1, COB lenses can help create a smooth and uniform beam by reducing hotspots or uneven light.
- 2, COB lenses can be designed to produce a narrow spot, medium flood, or wide flood beam, depending on the desired application.
- 3, COB lenses are often employed in architectural lighting fixtures to shape and control the light output. They help create specific lighting effects, such as wall washing, accent lighting, or grazing, by directing the light in a controlled manner. COB lenses ensure uniform light distribution and enhance the visual impact of structures.



LENS LIGHT DISTRIBUTION & APPLICATION



LENS DRAWING



LED TYPE



COB LED



COB LED

LED BRAND

