

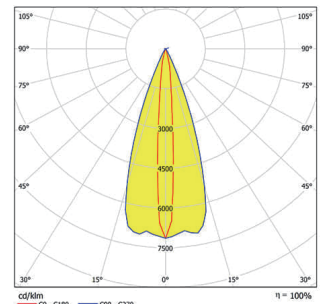
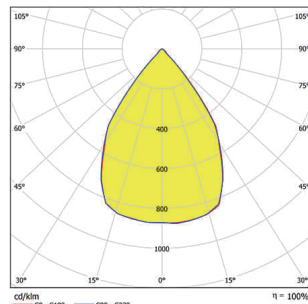
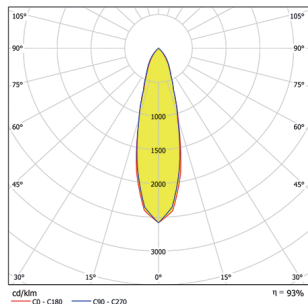
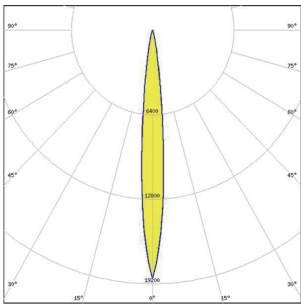


AT Series - 16mm

LENS LIGHT



LENS Light Distribution





AT16D9H

Size: $\varnothing 16.1\text{mm}$

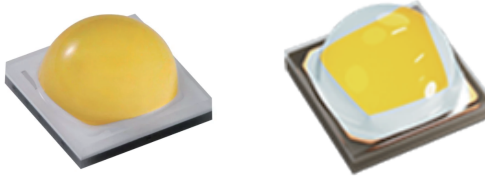
Height: 10.3mm

Beam Angle: $13^\circ, 30^\circ, 60^\circ, 15 \times 35^\circ$

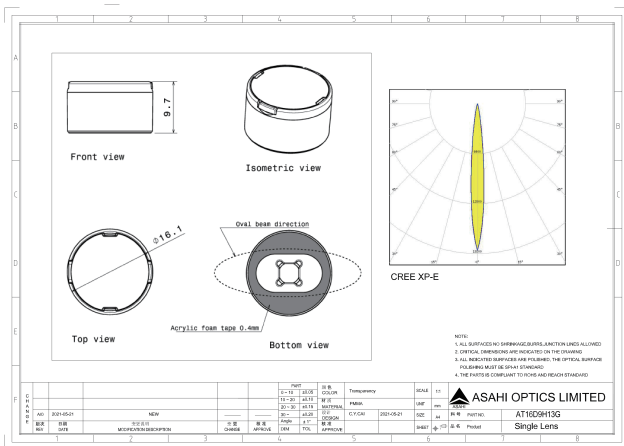
Material: PMMA(lens)+PC(holder)

Transmittance: $>93\%$

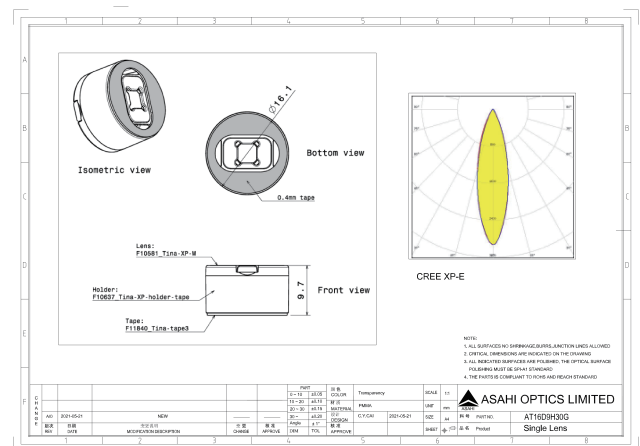
LED Type: 3535LED, CREE XP-E



Mechanical specifications



13° Drawing



30° Drawing