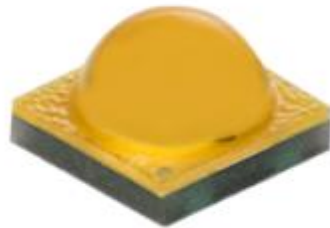


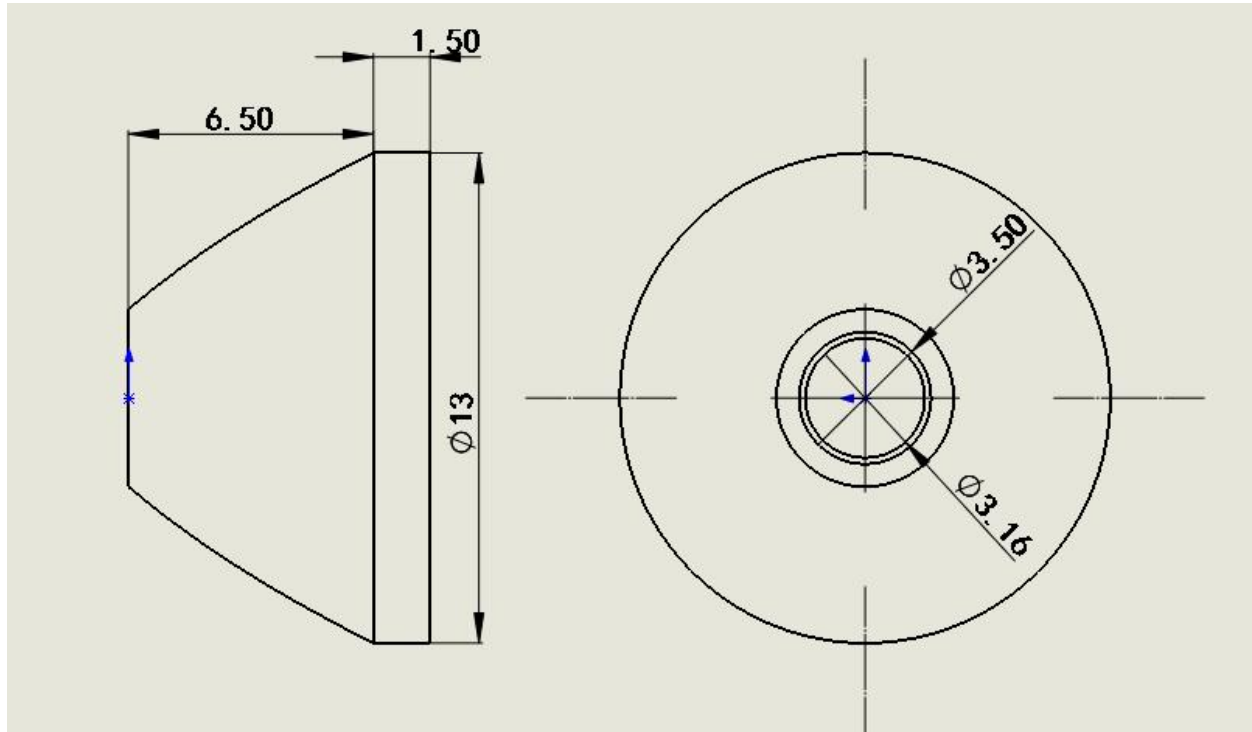
Wall washer lighting 15° Optical Design

LED: CREE XT-E

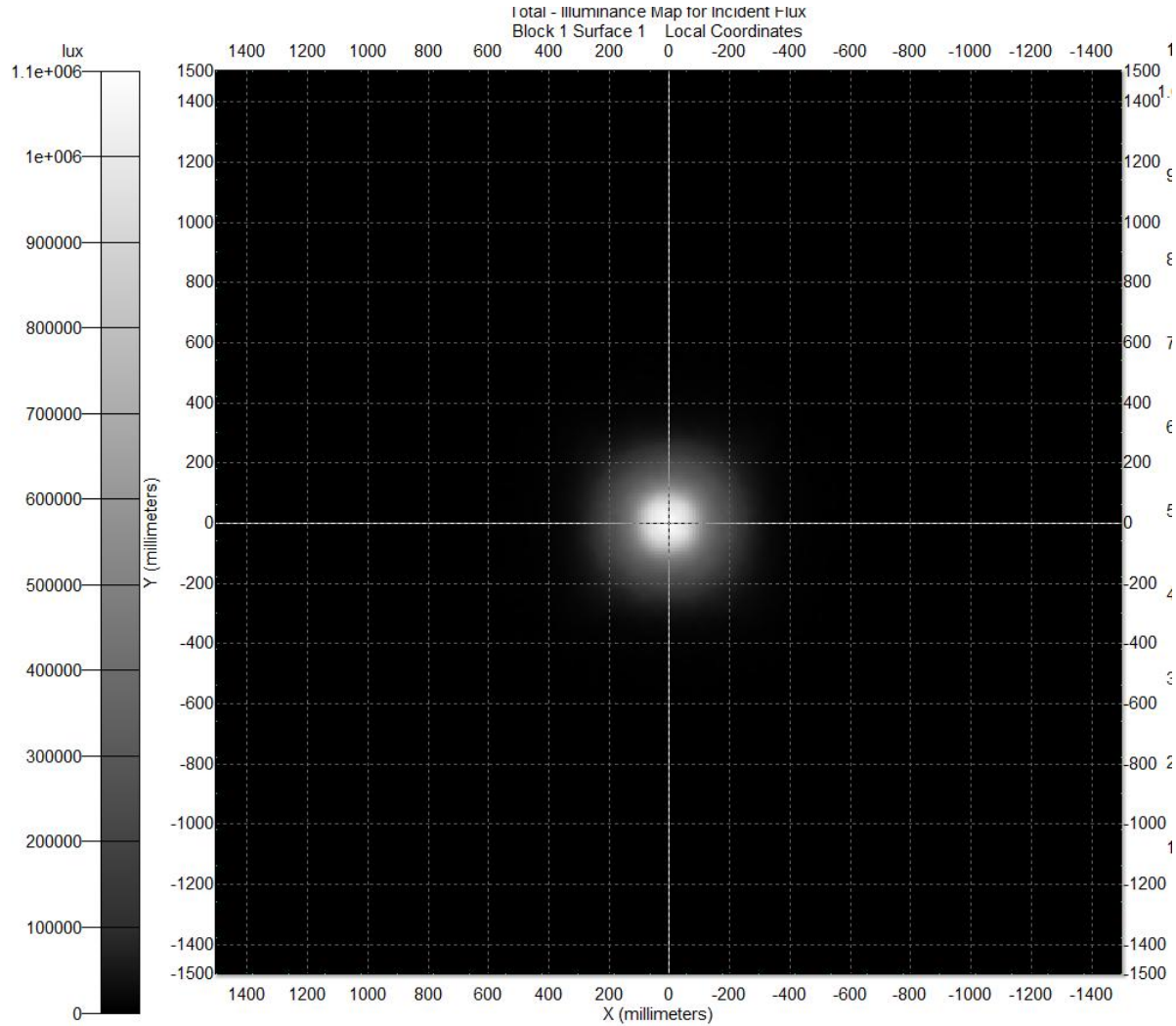


2017-10-12

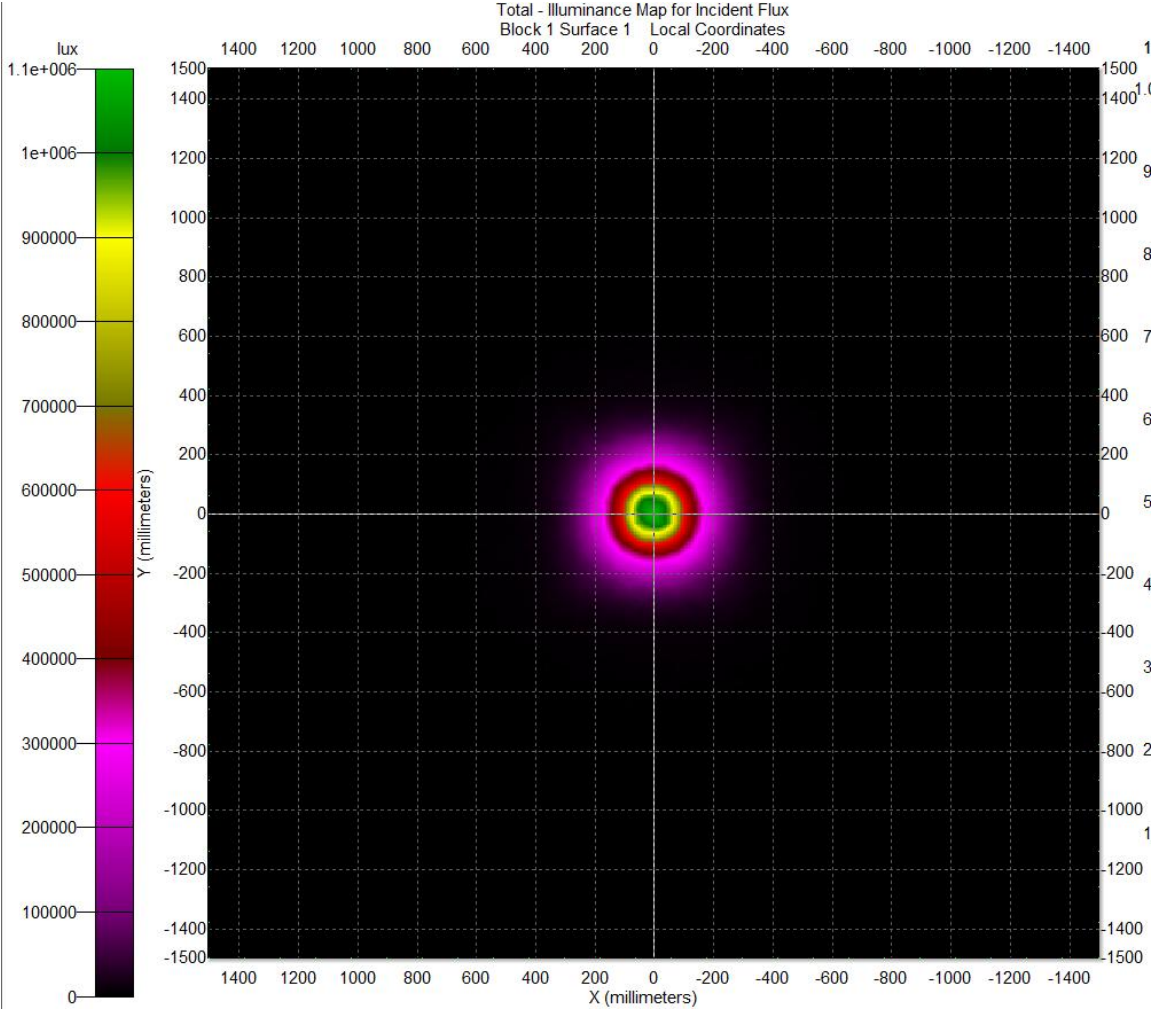
Lens Layout



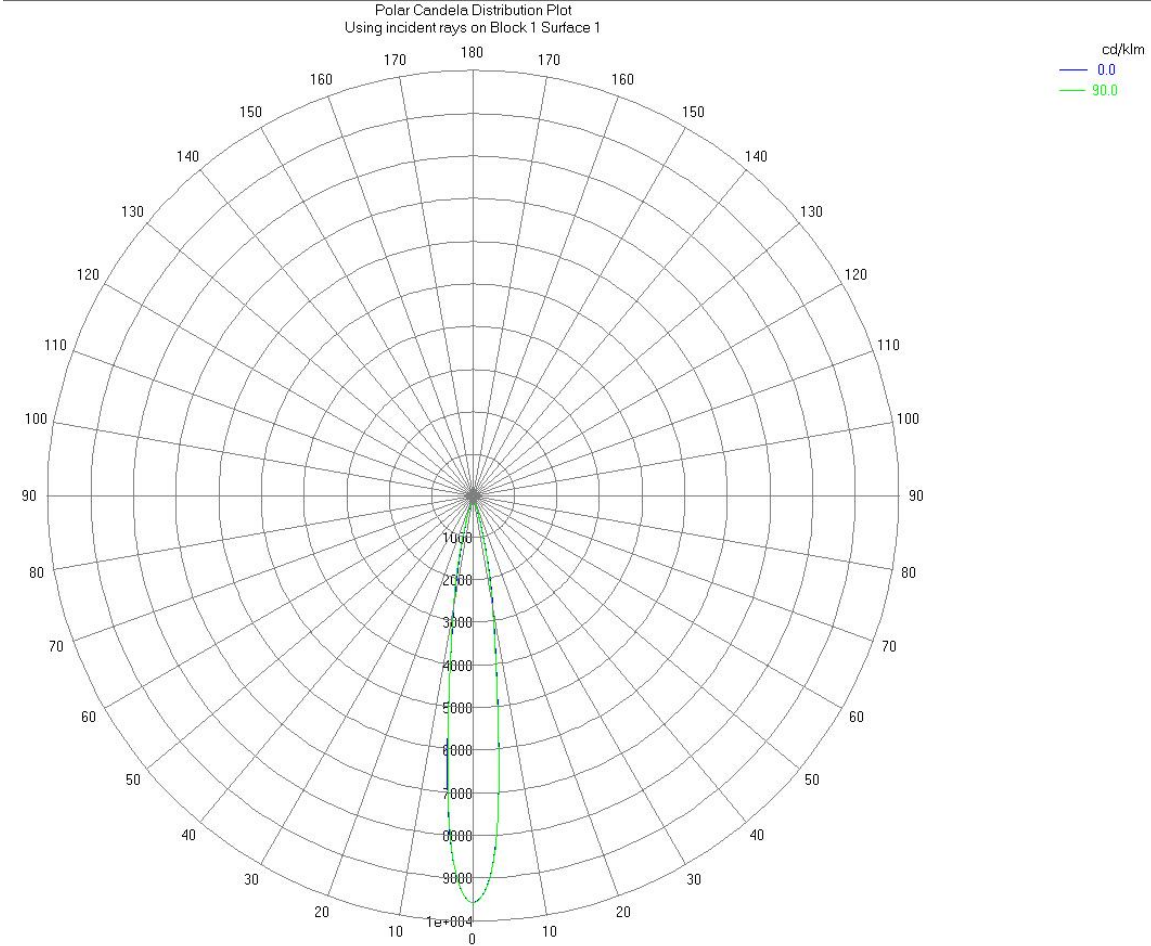
Total—Irradiance map for incident flux Black (1m)



Total—Irradiance map for incident flux color (1m)



Polar Diagram



Summary



Lens material: PMMA

Optical Beam: 14°

CDCP: 9.6cd/lm

Efficiency: 93%

LED: CREE XT-E